

Installation Instructions for FRIEDL mechanical closures In-Line closures (MVM) and Branch-Off closures (MAM)

Name **MVM 23 / 200** – max. splice opening in mm
Example | _____ max. cable outside diameter in mm
 | _____ Model and Type of the closure

Fields of Applications:

- Chapter I.) Installation Instructions for plastic coated telecom copper cables
- Chapter II.) Installation Instructions for fiber optic cables

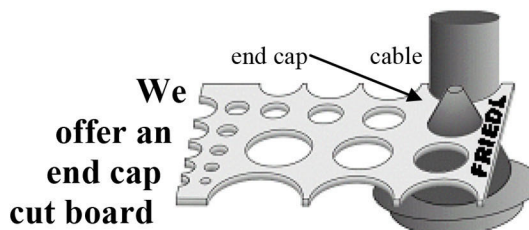
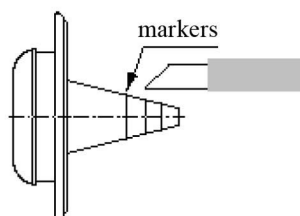
I.) Installation Instructions for plastic coated telecom copper cables

I.)Step 1 Cable classification

Type	cable outside diameter in mm	max. splice opening in mm	USE connectors Spleissmodul SPM 10/25	max. fiber optic splice cases	Closure dimensions L x W x H in mm
MVM 23/200	2 x 8-23	200	8 x 10	5	470x133x90
MAM 23/200	4 x 8-23				470x223x104
MVM 42/320	2 x 8-42	320	40 x 10 or 16 x 25	11	673x176x140
MAM 42/320	4 x 8-42				673x274x148
MVM 71/500	2 x 8-71	500	120 x 10 or 48 x 25	13	825x207x162
MAM 71/500	4 x 8-42				825x459x165
	2 x 8-71				

The manufacturing date is printed at the closure cabinet.

I.)Step 2 Cut end cap at ½ cable outside diameter



I.)Step 3 Pull end cap on the cable

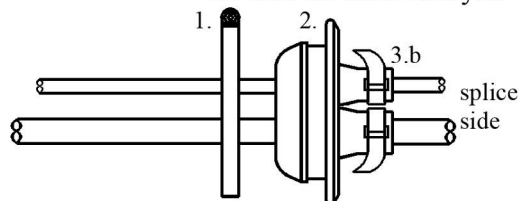
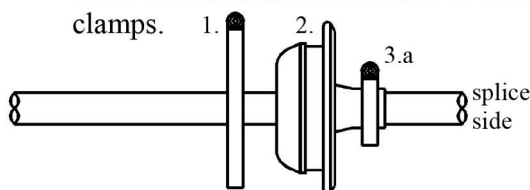
Do **not** fix any hose clamp or cable tie during this step. It becomes fixed later.

1. Clean the cable and put the large hose clamp on. **The lock of the hose clamp may have one (1) overhanging sharp edge. To protect the end cap, this edge has to face towards splice side.**
2. Put lubricant on the cable and pull the end cap on.

In case of a double end cap do this for each used end of the end cap.

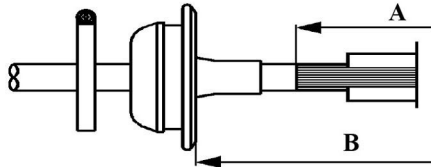
- 3.a In case of a single end cap put a small hose clamp on each used end cap. On customers request, special cable ties are delivered instead of the small hose clamps.

- 3.b In case of a double end cap we recommend cable ties. Do not fix cable ties yet.



I.) Step 4 Position end caps and establish splice

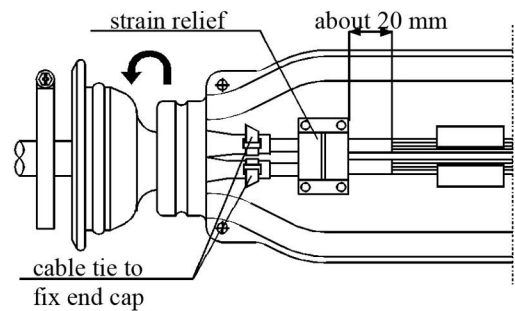
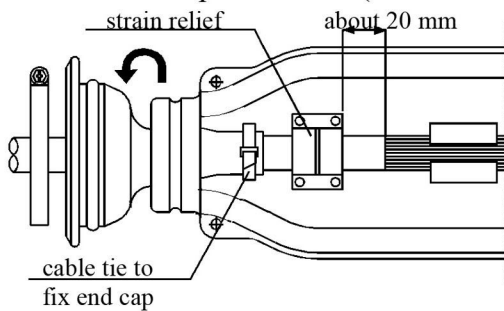
- 1 Position end caps, use lubricant if needed
- 2 Prepare cable
- 3 Establish shield connecting and splice
- 4 On customers request we offer desiccant



Type	splice opening A in mm	recommended distance of end caps B in mm
MVM 23/200	200	400
MAM 23/200		
MVM 42/320	320	600
MAM 42/320		
MVM 71/500	500	750
MAM 71/500		

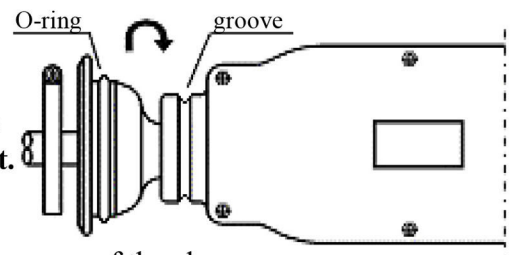
I.) Step 5 Installation of strain relief and end caps

- 1 Use cable adapter pieces to cover the cable coat and to compensate the distance between the cable diameter and the strain relief. Fasten strain relief firmly.
- 2 Lubricate the end cap at the position where to put the small hose clamp.
Fix end caps with the small hose clamps (or cable ties) to the cable.
- 3 Turn end caps inside out (off the mechanical closure).



I.) Step 6 Fix top half shell and turn end cap

- 1 Check preinstalled length sealing for tight fitting.
- 2 Fix top half shell exactly concentric.
- 3 ●●● Caution ●●●
Use screws with washers and tighten screws crosswise very firmly, until the shells touch each other very tight.
- 4 Lubricate groove, at the position of the length sealing before turning end caps outside in towards the closure.
- 5 The inner O-ring of the end cap has to fit exactly into the groove of the closure.



I.) Step 7 Fix end cap

- 1 Put **lubricant** in the outside groove of the end cap, before inserting the hose clamp (large version).
- 2 ●●● Caution ●●●
The lock of the hose clamps may have one (1) overhanging sharp edge. To protect the end cap, this edge has to face towards the splice. Turn lock away from the length sealing between the shells. Fix the hose clamps very firmly.
- 3 If remounting (after reopening the closure) position the lock at a different location.

